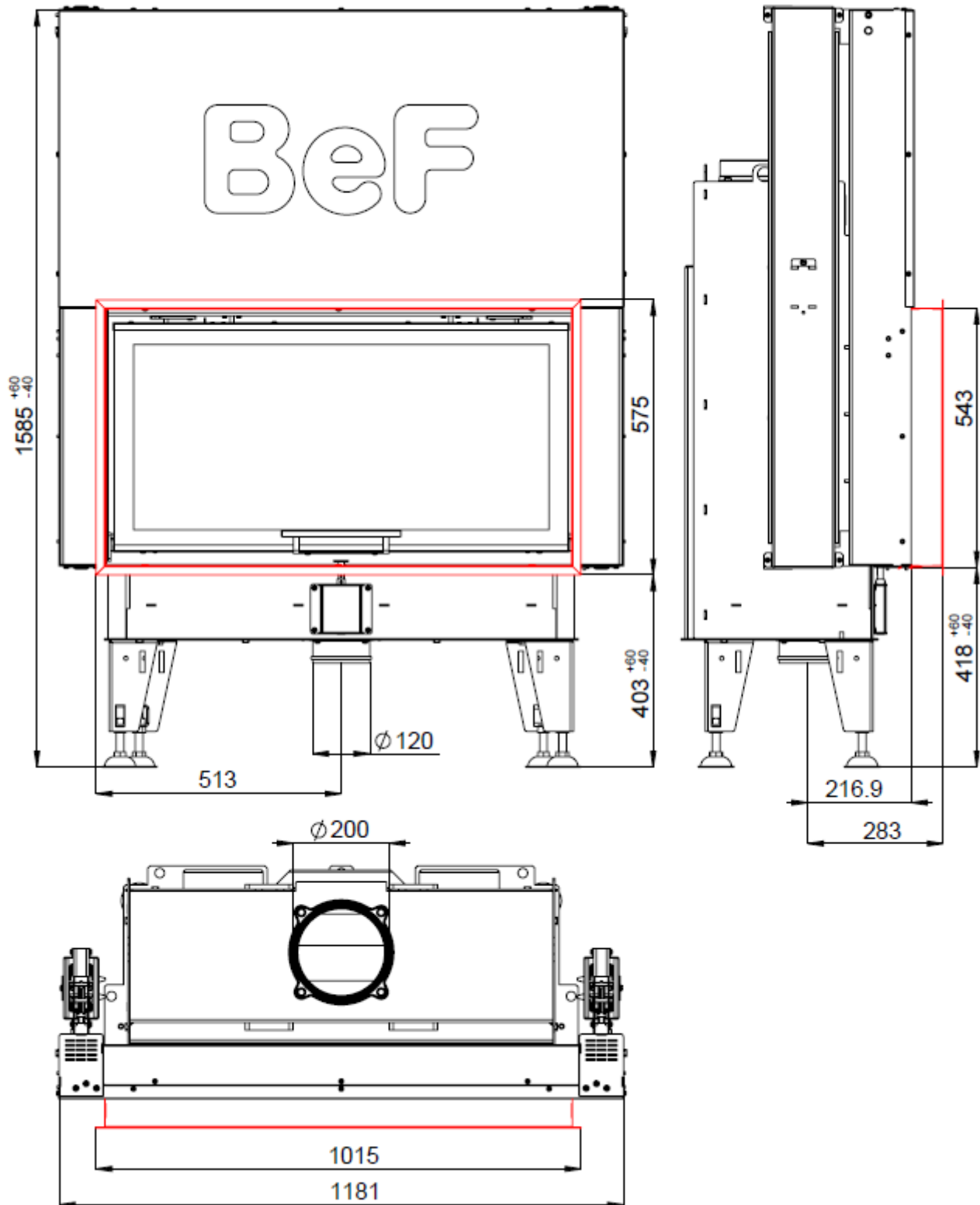


# FIREPLACE INSERT BEF THERM V 10 IN ACCORDANCE WITH EN 13 229

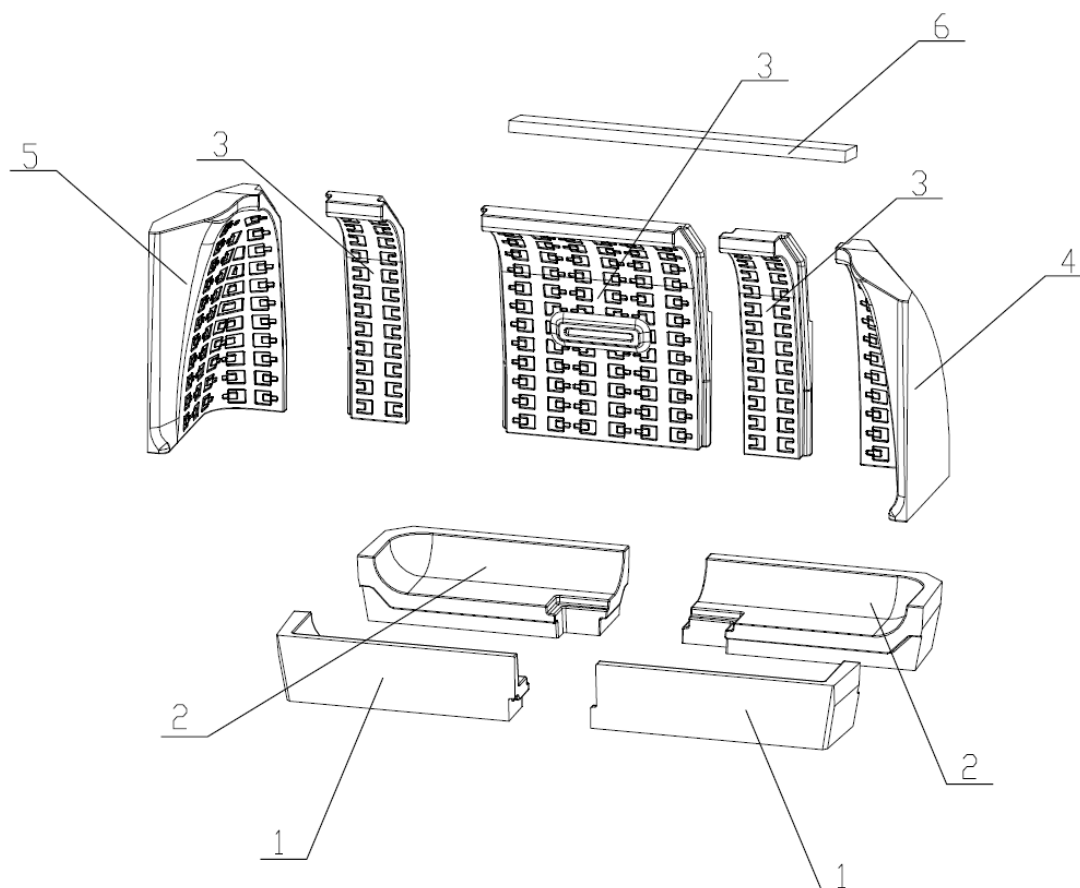


# **FIREPLACE INSERT BEF THERM V 10** **IN ACCORDANCE WITH EN 13 229**

## **Technical data:**

Nominal heat output	kW	13
Efficiency	%	83,9
Volume flow of combustion products	g/s	10,2
Flue-gas temperature	°C	235
Min. feed pressure at nominal heat output	Pa	12
Fuel		wood (beech logs)
Fuel consumption per hour	kg/h	3,6
CO emission in burnt gas (in relation to 13% O <sub>2</sub> ) %		0,0877
Dust in flue-gas (in relation to 13% O <sub>2</sub> ) mg/Nm <sup>3</sup>		11
Smoke flue diameter	mm	200
Weight	kg	

## **Set of carcon firebox:**



## **List of spare parts:**

1. Bottom
2. Bottom
3. Back
4. Side piece
5. Side piece
6. Deflector
7. Cast iron grate
8. Ashtray

For details see Installation and Service Instructions.