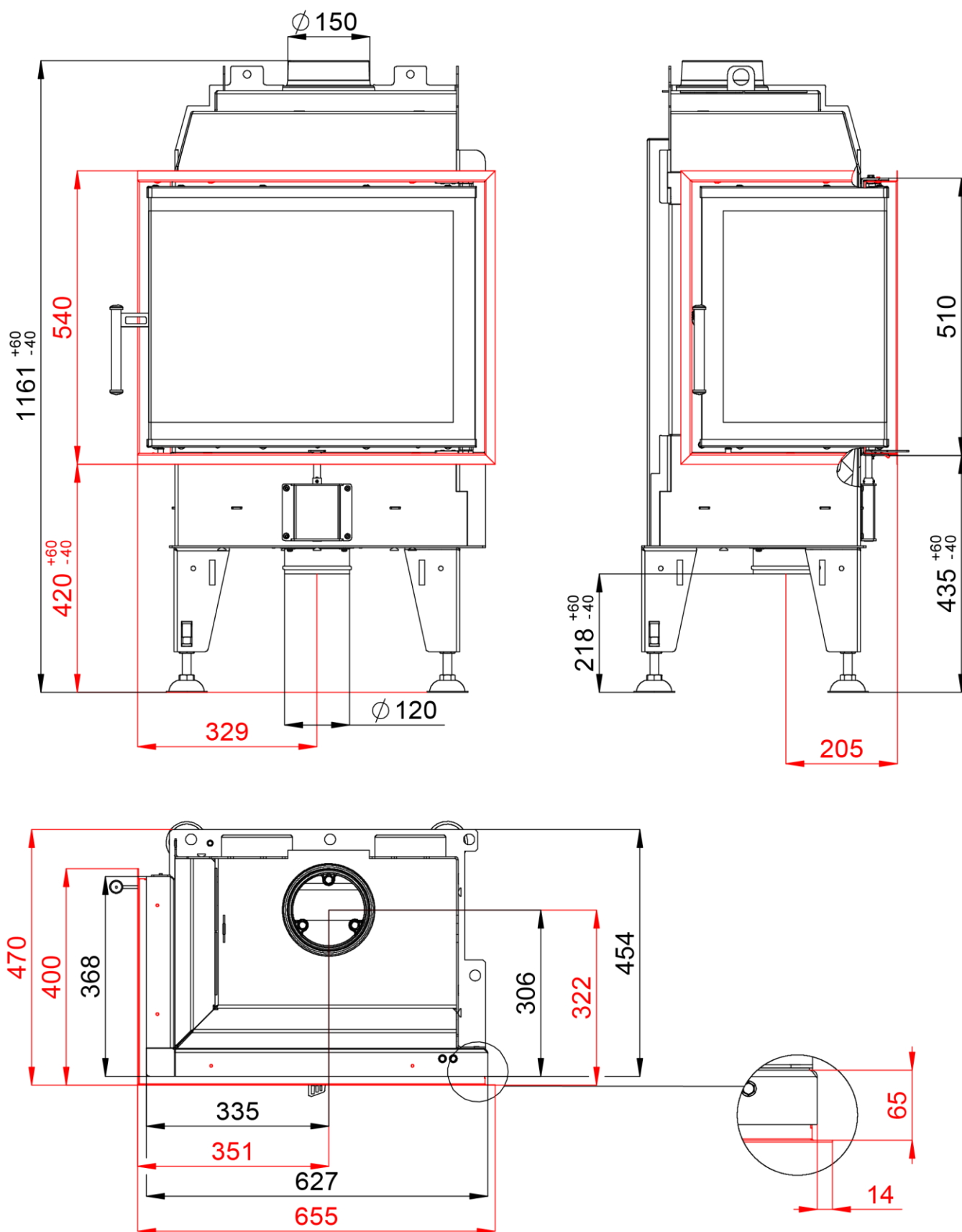


FIREPLACE INSERT BEF THERM 7 CL IN ACCORDANCE WITH EN 13 229

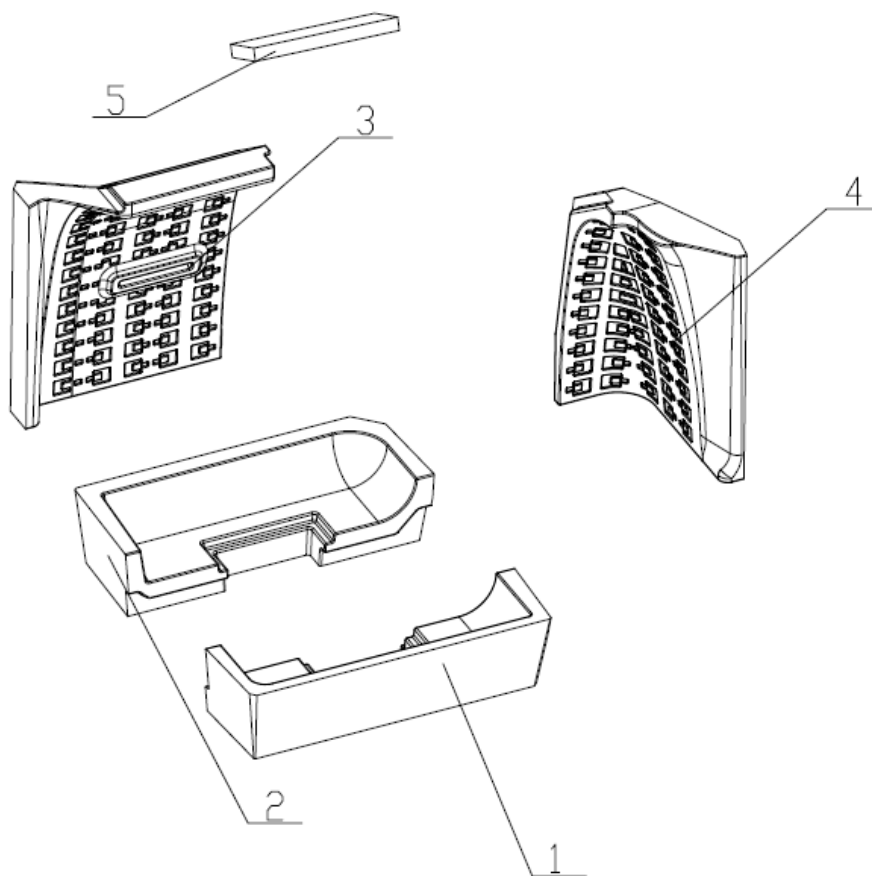


FIREPLACE INSERT BEF THERM 7 CL **IN ACCORDANCE WITH EN 13 229**

Technical data:

| | | |
|---|--------------------|-------------------|
| Nominal heat output | kW | 7,4 |
| Efficiency | % | 82 |
| Volume flow of combustion products | g/s | 5,6 |
| Flue-gas temperature | °C | 264 |
| Min. feed pressure at nominal heat output | Pa | 12 |
| Fuel | | wood (beech logs) |
| Fuel consumption per hour | kg/h | 2 |
| CO emission in burnt gas (in relation to 13% O ₂) | % | 0,0868 |
| Dust in flue-gas (in relation to 13% O ₂) | mg/Nm ³ | 19 |
| Smoke flue diameter | mm | 150 |
| Weight | kg | |

Set of carcon firebox:



List of spare parts:

1. Bottom
2. Bottom
3. Back
4. Side piece
5. Deflector
6. Cast iron grate
7. Ashtray

For details see Installation and Service Instructions.